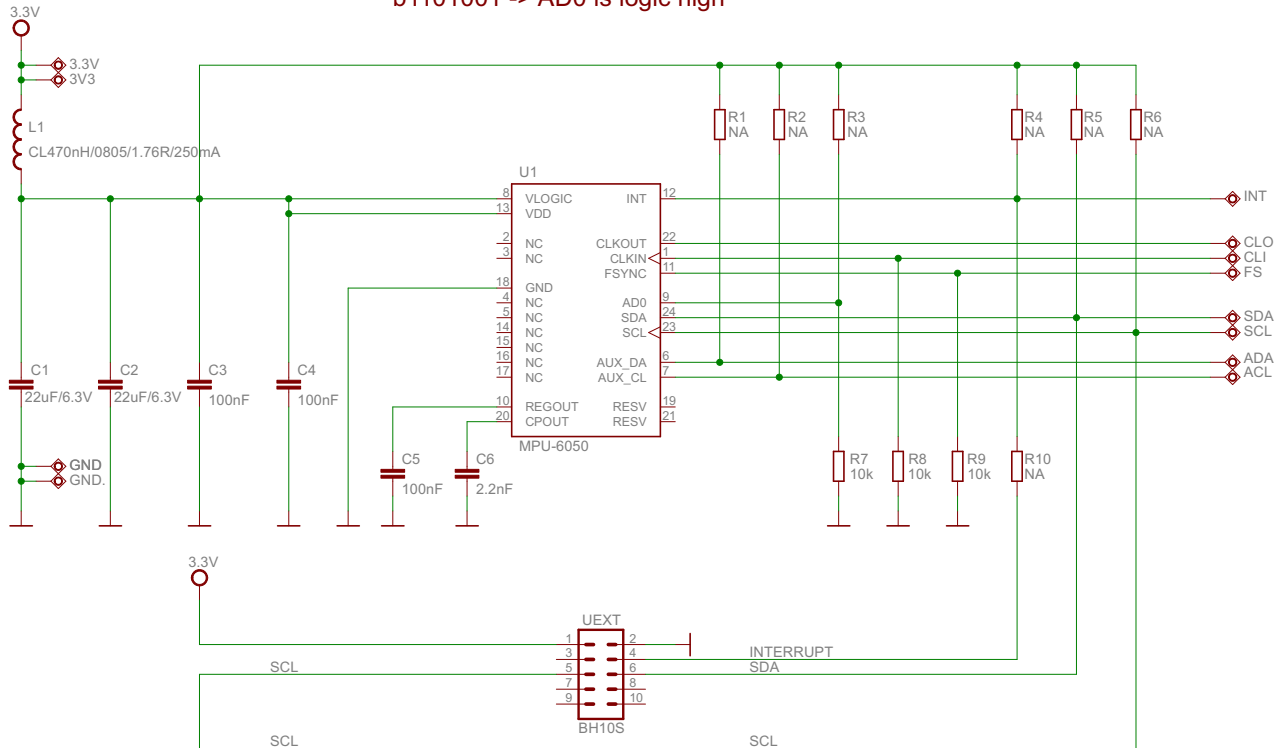


This hardware design by Olimex LTD is licensed under a Creative Commons Attribution-ShareAlike 3.0 Unported License.

Device Address:
b1101000 -> AD0 is logic low
b1101001 -> AD0 is logic high



MOD-MPU6060, board revision A

OLIMEX LTD, Plovdiv, Bulgaria 2013

<https://www.olimex.com>