

Olimex Ltd

Sheet: /  
File: BB-STM32WL\_RevC.sch

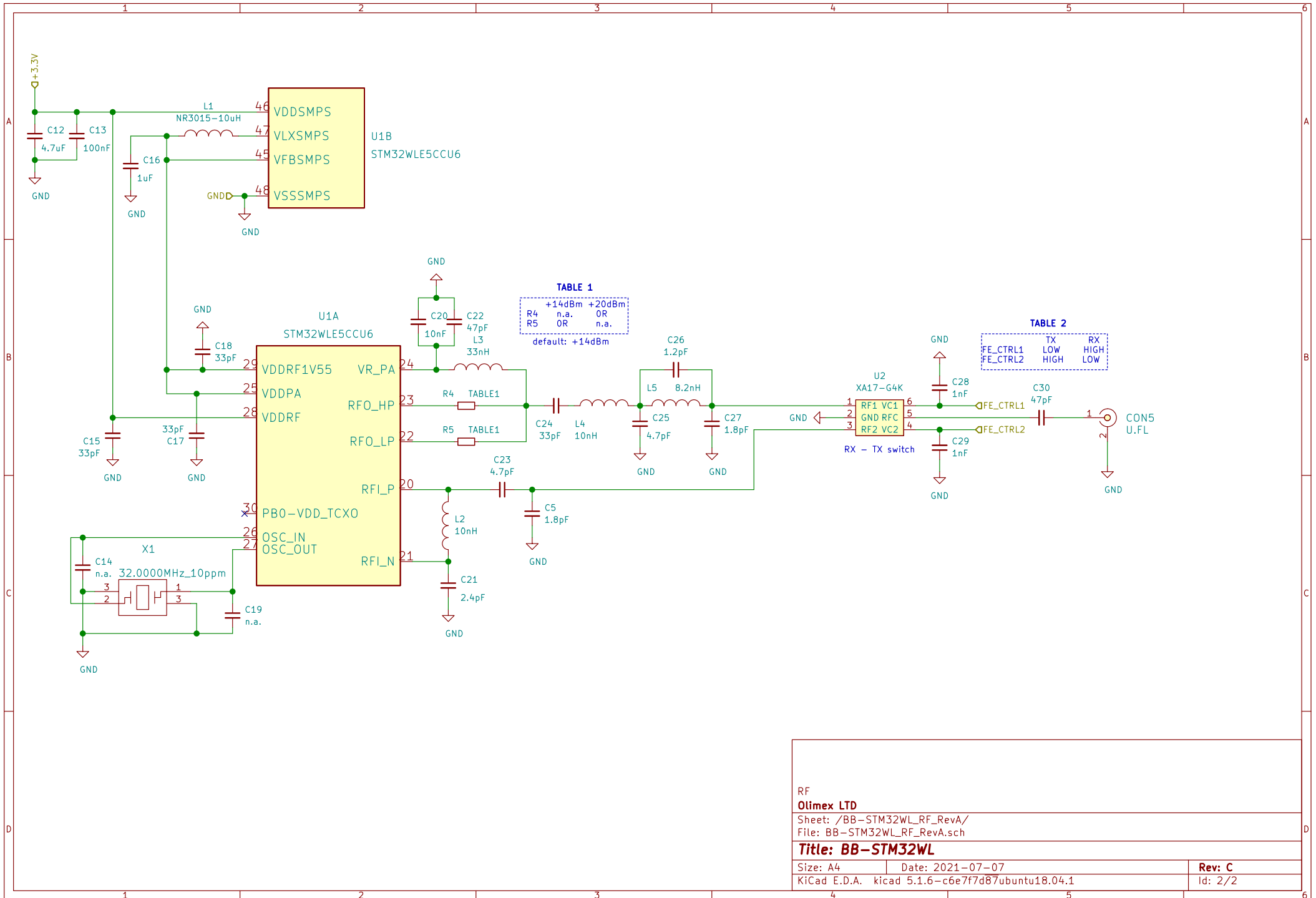
**Title: BB-STM32WL**

Size: A4 Date: 2021-07-07

KiCad E.D.A. kicad 5.1.6-c6e7f7d87ubuntu18.04.1

**Rev: C**

Id: 1/2



**TABLE 1**

	+14dBm	+20dBm
R4	n.a.	0R
R5	0R	n.a.

default: +14dBm

**TABLE 2**

	TX	RX
FE_CTRL1	LOW	HIGH
FE_CTRL2	HIGH	LOW